

PRESSURIZED KIT WITH TWO WATER BOOSTER UNIT PUMPS "KIT SPEEDWAY"

THE SPEEDWAY KIT IS A HIGH QUALITY PRODUCT WHICH GUARANTEES RELIABILITY AND A LONG WORKING LIFE.

THE USE OF HIGH QUALITY MATERIALS, AVANT-GARDE TECHNOLOGY AND RIGOROUS PRODUCTION CONTROL COMBINE TO PROVIDE A HIGH-QUALITY, EASY-TO USE PRODUCT.

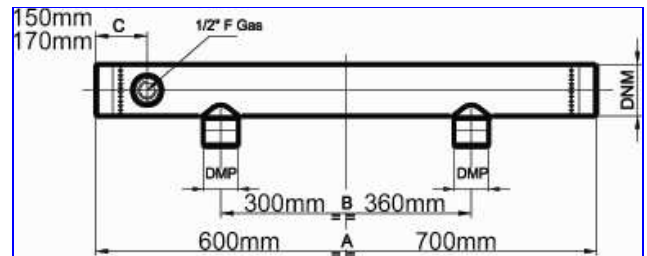
THE SYSTEM OF MOBILE FIXING MAKES IT EASY TO USE WITH ALL KINDS OF PUMPS. THE METAL PARTS AND THE MANIFOLDS ARE MADE OF IN OX STAINLESS STEEL, THUS ASSURING HYGIENE AND LONG-TERM RESISTANCE, EVEN IN DIFFICULT WORKING ENVIRONMENTS.

THE BALL VALVE, NON-RETURN VALVES AND THE COUPLINGS ARE MADE OF NICKEL BRASS AND ARE EASY TO ASSEMBLE.

THE "SPEEDWAY" KIT IS SUPPLIED IN A CARDBOARD BOX COMPLETE WITH PIPING, BALL VALVES, GASKETS, PUMP FIXING BRACKETS, FIXING ARM FOR THE ELECTRIC CONTROL PANEL AND SCREWS AND NUTS FOR THE ASSEMBLY OF ALL THE COMPONENT PARTS.

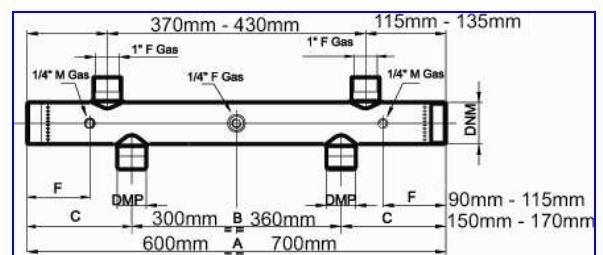
PRESSURIZED KIT WITH SUCTION NON RETURN VALVE, BALL VALVE, PIPE FITTINGS

SUCTION MANIFOLDS ARE MADE OF STAINLESS STEEL AISI 304



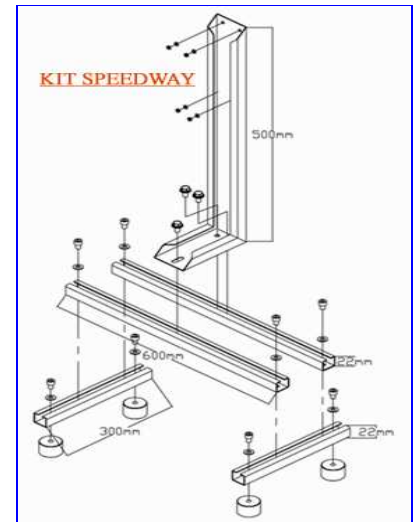
TYPE	A (DNA)	B (DNP)	NON RETURN VALVE WITH EXTRACTABLE PIPE FITTINGS	TUBE SIZE	CODE	COMPOSITION	WIGHT Kg
A1	1" ½	1"	1" X 1" M/F NICKEL BRASS	1" ½ X 600mm	701170		11
A2	2"	1"	1" X 1" M/F NICKEL BRASS	2" X 600mm	701180		11,5
A3	2"	1" ¼	1" ¼ X 1" ¼ M/F NICKEL BRASS	2" X 600mm	701190		11,5
A4	2" ½	1" ¼	1" ¼ X 1" ¼ M/F NICKEL BRASS	2" ½ X 600mm	701191		12,0
A5	2" ½	1" ½	1" ½ X 1" ½ M/F NICKEL BRASS	2" ½ X 600mm	701192		12,5
A6	3"	2"	WITHOUT NON RETURN VALVE AND PIPE FITTINGS	3" X 700mm	701193		3,5

DELIVERY MANIFOLDS FOR HORIZONTAL PUMPS ARE MADE OF STEINLESS STEEL AISI 304

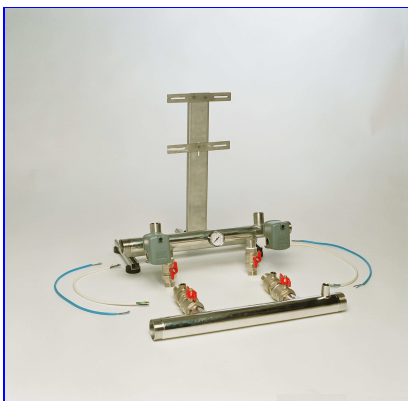


TYPE	A (DNM)	B (DNP)	BALL VALVE + PIPE FITTINGS	TUBE SIZE	CODE	COMPOSITION	WIGHT Kg
M1	1" ½	1"	1" X 1" M/F NICKEL BRASS	1" ½ X 600mm	701200		11
M2	2"	1"	1" X 1" M/F NICKEL BRASS	2" X 600mm	701210		11,5
M3	2"	1" ¼	1" ¼ X 1" ¼ M/F NICKEL BRASS	2" X 600mm	701220		11,5
M4	2"	1" ½	1" ½ X 1" ½ M/F NICKEL BRASS	2" X 600mm	701221		12,0
M5	2" ½	1" ½	1" ½ X 1" ½ M/F NICKEL BRASS	2" ½ X 600mm	701222		12,5
M6	3"	2"	WITHOUT BALL VALVE AND PIPE FITTINGS	3" X 700mm	701223		3,5

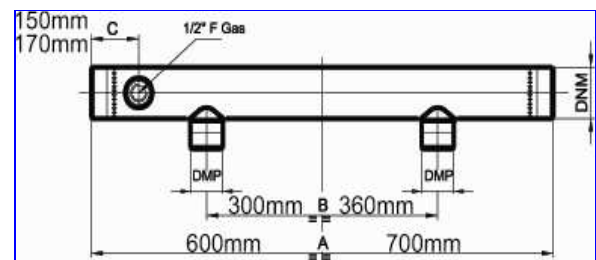
FIXING BRACKET KIT, ARE MADE OF STAINLESS STEEL AISI 304



TYPE	TYOLOGY AND DIMENSIONS	MATERIAL	CODE
SK1	WIDTH 500 X DEPTH 250 mm, 2mm thickness	STEINLESS STEEL AISI 304	700250
SK2	WIDTH 600 X DEPTH 300 mm, 2mm thickness	STEINLESS STEEL AISI 304	700260
SK3	WIDTH 1000 X DEPTH 500 mm, 3mm thickness	STEINLESS STEEL AISI 304	700270
N°15	NUT 27x27 ZINC-PLATED 8MA	IRON ZINC-PLATTE	702012
N°4	ANTIVIBRANTING SMALL FOOT	IRON ZINC-PLATTE	702013
N°7	SOCKET-HEAD SCREW 8x16	IRON ZINC-PLATTE	702014

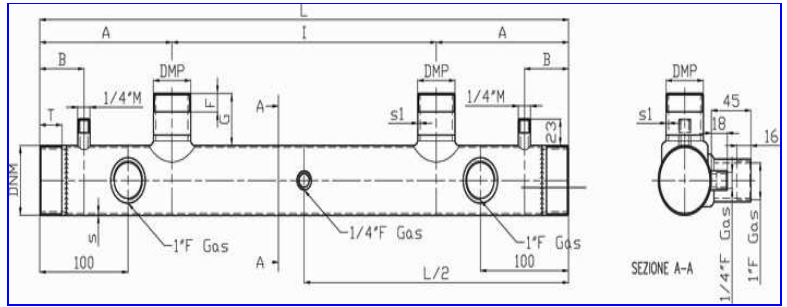


SUCTION MANIFOLDS FOR VERETICAL PUMPS ARE MADE OF STAINLESS STEEL AISI 304



TYPE	A (DNA)	B (DNP)	NON RETURN VALVE WITH EXTRACTABLE PIPE FITTINGS	TUBE SIZE	CODE	COMPO SITION	WIGHT Kg
A1	1" ½	1"	1" X 1" M/F NICKEL BRASS	1" ½ X 600mm	701170		11
A2	2"	1"	1" X 1" M/F NICKEL BRASS	2" X 600mm	701180		11,5
A3	2"	1" ¼	1" ¼ X 1" ¼ M/F NICKEL BRASS	2" X 600mm	701190		11,5
A4	2" ½	1" ¼	1" ¼ X 1" ¼ M/F NICKEL BRASS	2" ½ X 600mm	701191		12,0
A5	2" ½	1" ½	1" ½ X 1" ½ M/F NICKEL BRASS	2" ½ X 600mm	701192		12,5
A6	3"	2"	WITHOUT NON RETURN VALVE AND PIPE FITTINGS	3" X 700mm	701193		3,5

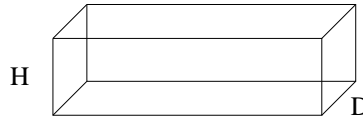
DELIVERY MANIFOLDS FOR VERTICAL PUMPS ARE MADE OF STEINLESS STEEL AISI 304



TYPE	A (DNM)	B (DNP)	BALL VALVE + PIPE FITTINGS	TUBE SIZE	CODE	COMPOSITION	WIGHT Kg
M1/V	1" 1/2	1"	1" X 1" M/F NICKEL BRASS	1" 1/2 X 600mm	701230		11
M2/V	2"	1"	1" X 1" M/F NICKEL BRASS	2" X 600mm	701231		11,5
M3/V	2"	1" 1/4	1" 1/4 X 1" 1/4 M/F NICKEL BRASS	2" X 600mm	701232		11,5
M4/V	2"	1" 1/2	1" 1/2 X 1" 1/2 M/F NICKEL BRASS	2" X 600mm	701233		12,0
M5/V	2" 1/2	1" 1/2	1" 1/2 X 1" 1/2 M/F NICKEL BRASS	2" 1/2 X 600mm	701234		12,5
M6/V	3"	2"	WITHOUT BALL VALVE AND PIPE FITTINGS	3" X 700mm	701235		3,5

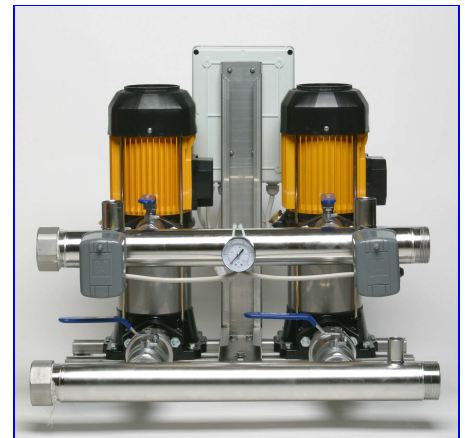
PACKING DIMENSIONS IN mm

H= 165 W=690 D=285



LEGEND

DNA=SUCTION TUBE SIZE
DNM=DELIVERY TUBE SIZE
DNP=DELIVERY PUMP DIAMETER



OPZIONAL

HEXAGONAL CAP ARE MADE OF STEINLESS STEEL AISI 316

TYPE DESCRIPTION	CODE
HEXAGONAL CAP 1" 1/2 F	702002
HEXAGONAL CAP 2" F	702003
HEXAGONAL CAP 2" 1/2 F	702004
HEXAGONAL CAP 3" F	702005
HEXAGONAL PLUG 1/2" M	702001